



**SKUNK APE**  
**TREE STANDS**

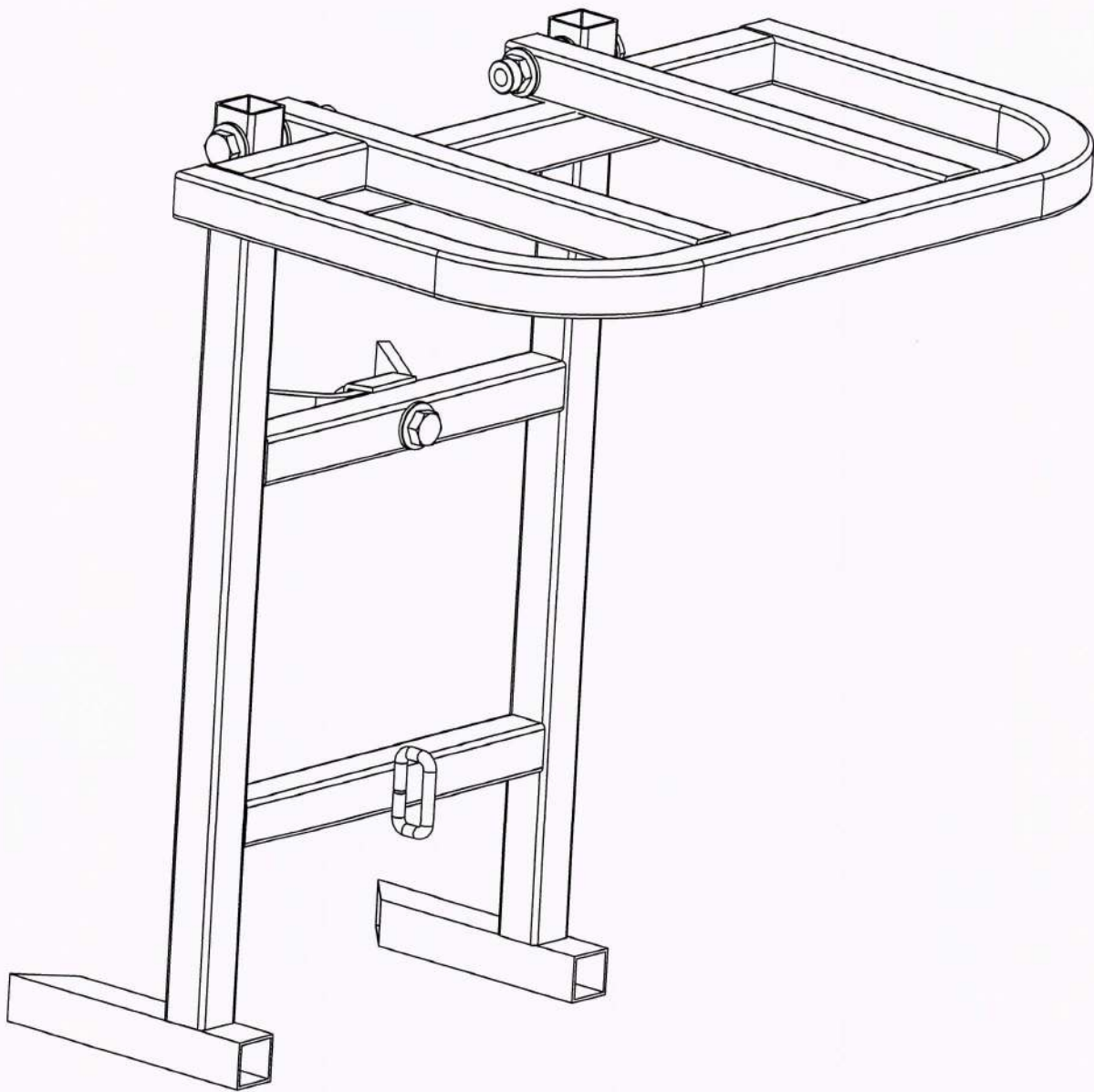
## SAJR Assembly Instructions.

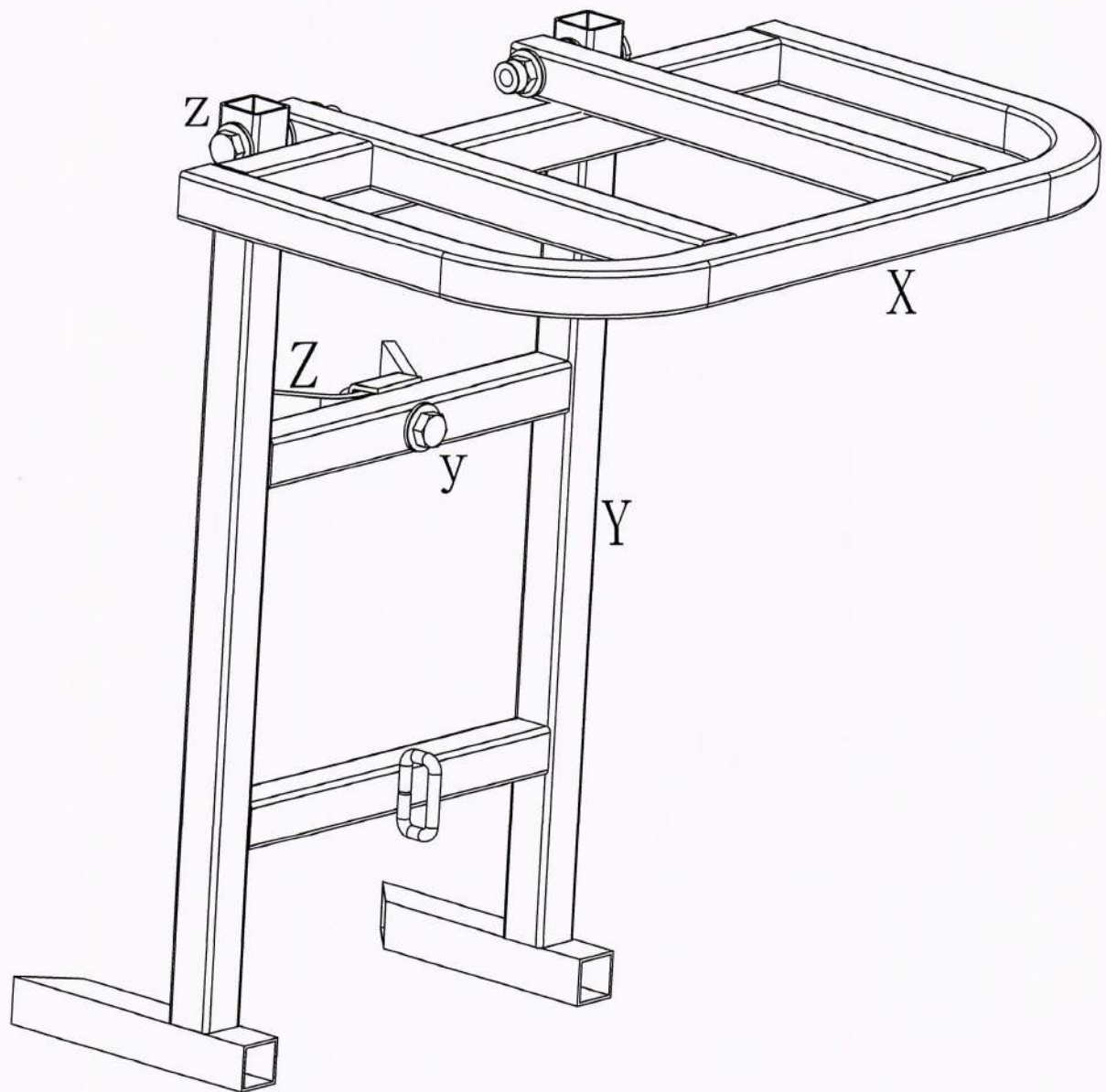


**Warning:** The failure to follow the




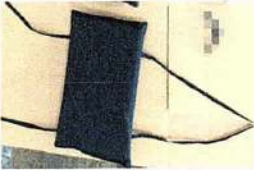
manufacturer's installation instructions constitutes a failure to properly use this product. It is imperative that the owner of this product, or any other product(s) read and follow all the instructions and warnings contained in this manual prior to attempting to use this product(s), or any other product(s).

This failure could result in accidental injury or death!





Child Seat (SAJR)

No.	Name	Spec.	Qty.	Remark
X	Seat frame		1	
Y	H-frame		1	
Z	Upper Tree-brace			
y	Install the tree brace(Z) to the H-fram(Y) in 1 M8*45mm bolts and nuts.Each bolt should have two nylon washers.	M8*45mm	1	
z	Install the seat(X) to the H-fram(Y) in 2 M8*55mm bolts and nuts.Each bolt should have two nylon washers.and there should have a nylon washer between seat and H-frame.	M8*55mm	2	
Parts	Ratchet + 6' ribbon		1	Fixed the upper tree brace(X) on the tree.
	6.5' ribbon with buckle		1	Thread the strap through the D-ring welded on the H-frame and wrap around the tree trunkand and tighten it.
	Seat Cusion		1	
	Child Safety Hardness		1	
	CD		1	